



Overview

The FT-100 Cash Drawer is supplied with a flying cable which plugs directly to the STAR range of printers and DED interfaces. Commands and power to the Cash Drawer are generated by the printer hence minimising cabling and use of computer ports.

The status of the cash drawer, open or closed, can be read back in Serial versions of Star printers and D200, D214 interfaces.

There are 5 vertical note sections and 8 fixed coin scoops. For security the Cash Drawer centre can be removed.

The flying cable plugs directly to the printers and interfaces.

The Star Printer Range use peripheral driver 1 to control the Cash Drawer using commands 07H (Deferred) and 1CH (Immediate). In Serial versions (Not SP200 or DP8340) the ENQ command outputs the compulsion switch status. In SP300 Series Parallel versions, this is output via the Centronics connector pin 34.

The D200 and D214 interfaces use command 1CH for deferred operation only. The compulsion switch is read in Serial versions only using the ENQ command.

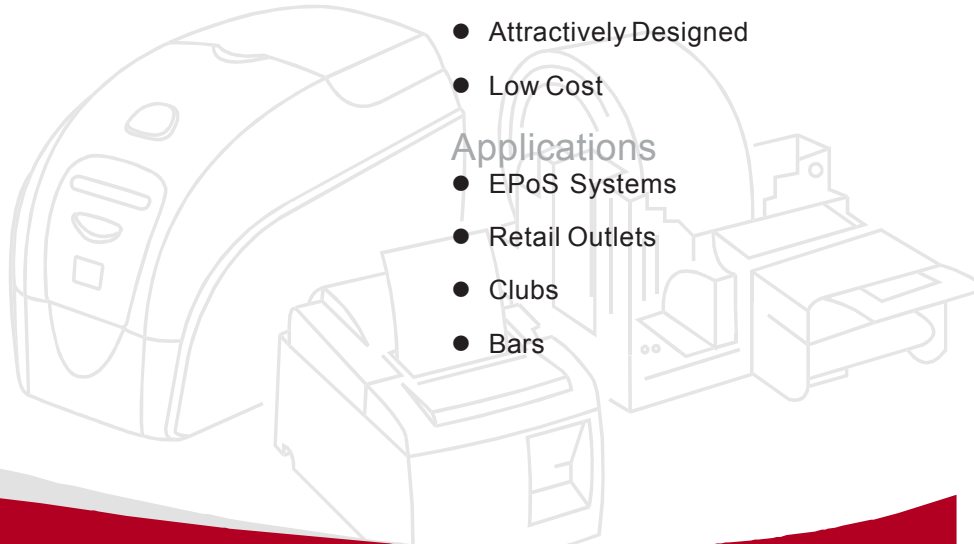
Only the Parallel versions of the DP8340 can be used. For serial versions please contact the DED Sales Office.

Features

- Cash Drawer with Cable
- Flip-Top Operation to Minimise Space
- Plugs directly to all Star Printers
- Compulsion Switch
- Robust Secure Construction with Lock
- Software Printer Command Opens Drawer
- Compulsion Switch Status Read from Printers except SP200 & DP8340
- Attractively Designed
- Low Cost

Applications

- EPoS Systems
- Retail Outlets
- Clubs
- Bars



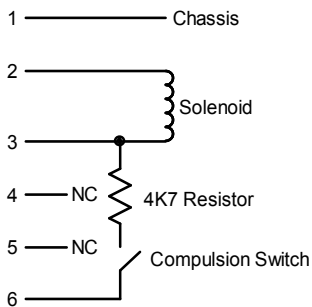
Specifications

Material:	Sheet Steel	Bell:	No
Finish:	Beige, black or grey	Solenoid:	Resistance: 25ohm Approx Operation: 100 to 200 mS 'ON' Duty Code: 50% Maximum
Inserts:	5 Vertical Note Sections 8 Cash Scoops	Compulsion Switch:	Resistance: 4K7 (Drawer Open) Open Circuit (Drawer Closed)
Size:	460(W) x 170(D) x 99(H)mm	Flying Cable:	Length: 1.3 Metres Approx Connector: FCC 6-P Modular Jack
Weight:	4.4Kg		
Lock:	Keys: 2 Keys Function: Manual Release and Drawer Lock		

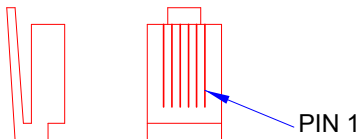
Wiring

Connector

1	Chassis
2	Peripheral Driver 1 (Solenoid)
3	24V
4	NC
5	NC
6	Switch



FCC Connector Details



Order Codes

FT-100-W
FT-100-B
FT-100-G

Cash Drawer C/W Flying Cable. Beige
Cash Drawer C/W Flying Cable. Black
Cash Drawer C/W Flying Cable. Grey